

LIGHTING

TEF 2438N LUMINAIRE

SAFE AREA

Subject to change without prior notice TPS2039 REV. D 14.03.2019



Tranberg luminaires are all designed for use in rough environments. It is the policy of Tranberg to provide products and services that meet the highest standards of quality in the industry and the performance needs and expectations of our customers. The design of Tranberg luminaires is based on many years of experience and extensive research in the field of professional Marine lighting. Carefully selected materials are used to ensure maximum performance, low maintenance and a long trouble free life.

TECHNICAL DATA

| | |
|------------------------------------|--|
| Material: | Cast copper alloy Globe: polycarbonate (Lexan 953A) |
| Input voltage: | 230/240V AC 50/60Hz |
| Light source: | Incandescent/Compact fluorescent |
| Lamp holder: | E27 |
| Power consumption: | Max. 40W |
| Light output | |
| (w/ 40W incandescent lamp): | Clear: Min. 30cd, Yellow / Amber: Min. 30cd, Blue: Min. 5cd, Red: Min. 10cd, Green: Min. 10cd |
| Weight: | 1,8 kg. |
| IP-rating: | IP56 |
| Standard cable entries: | Pipe mounting (Scheme 0): 1 x Bottom entry (Max. Ø25mm), 2 x Stopping plugs M20 Surface mounting (Scheme 1): 1 x Cable gland M20 (Ø5.0-9.0/8.5-14.0mm), 1 x Stopping plug M20 |
| Mounting: | On plane surface, or on pipe 1" BSP (code 0) |
| Operating temperature: | -52°C to +45°C (Note: Light source selected can limit temperature span). |

APPLICATION

- Deck lighting
- Signal lighting / Suez light
- Obstacle marking
- Safe area
- General lighting
- Outdoor / Indoor

FEATURES AND BENEFITS

- Rugged and low profile
- Easy to install and maintain
- Proven ingress protection
- Resistant to vibrations
- Delivered for pipe mounting (scheme 0) or surface mounting (scheme 1)

APPROVALS AND CERTIFICATES

NA

TEF 2438N LUMINAIRES

DESCRIPTION

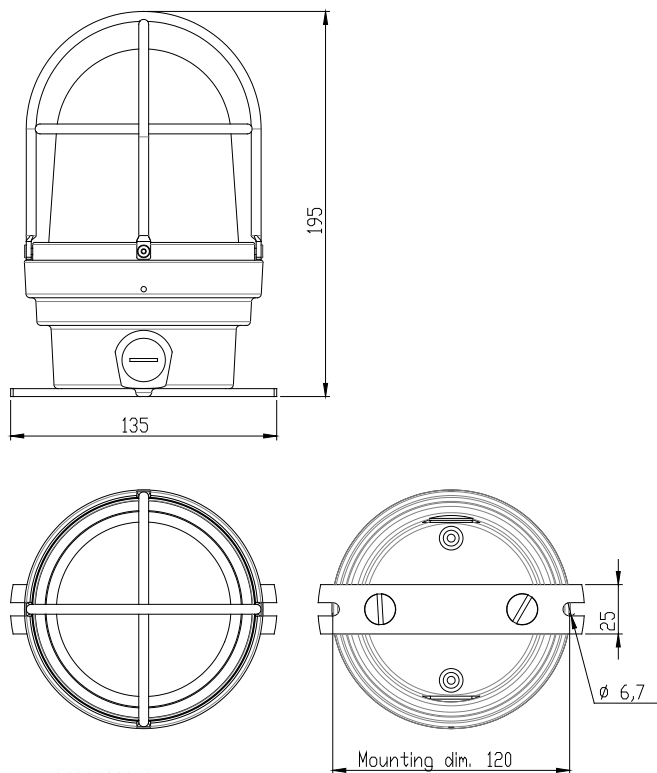
| Description | Part No. |
|--|----------|
| Signal light scheme 0, white | 2438 500 |
| Signal light scheme 0, green | 2438 600 |
| Signal light scheme 0, red | 2438 700 |
| Signal light scheme 0, blue | 2438 800 |
| Signal light scheme 0, yellow | 2438 900 |
| Signal light scheme 0, yellow amber | 2438 950 |
| Signal light scheme 1, white, incandescent | 2438 501 |
| Signal light scheme 1, green, incandescent | 2438 601 |
| Signal light scheme 1, red, incandescent | 2438 701 |
| Signal light scheme 1, blue, incandescent | 2438 801 |
| Signal light scheme 1, yellow, incandescent | 2438 901 |
| Signal light scheme 1, yellow amber, incandescent | 2438 951 |
| Signal light scheme 1, white, compact fluorescent | 2438 502 |
| Signal light scheme 1, green, compact fluorescent | 2438 602 |
| Signal light scheme 1, red, compact fluorescent | 2438 702 |
| Signal light scheme 1, blue, compact fluorescent | 2438 802 |
| Signal light scheme 1, yellow, compact fluorescent | 2438 902 |
| Signal light scheme 1, yellow amber, compact fluorescent | 2438 952 |

SPARE PARTS

| Description | Weight | Part No. |
|-----------------------------------|----------|-----------|
| Globe white, polycarbonate | 0,18 kg. | 5044 0018 |
| Globe green, polycarbonate | 0,18 kg. | 5044 1006 |
| Globe red, polycarbonate | 0,18 kg. | 5044 2006 |
| Globe yellow, polycarbonate | 0,18 kg. | 5044 3004 |
| Globe blue, polycarbonate | 0,18 kg. | 5044 4004 |
| Globe yellow amber, polycarbonate | 0,18 kg. | 5044 6001 |
| Gasket silicone rubber | 0,01 kg. | 5001 0021 |
| Lamp holder E27 | 0,17 kg. | 5087 0011 |
| Guard | | 2000 037 |
| Cable gland M20 | 0,05 kg. | 7045 043 |
| Stopping plug M20 | 0,01 kg. | 7947 001 |

DIMENSIONS

Plane surface mounted



Pipe mounted

